

# Brackets

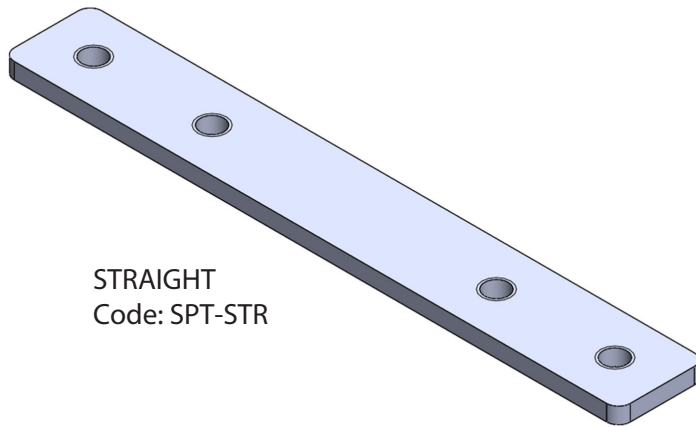
## Specifications

**Material:**

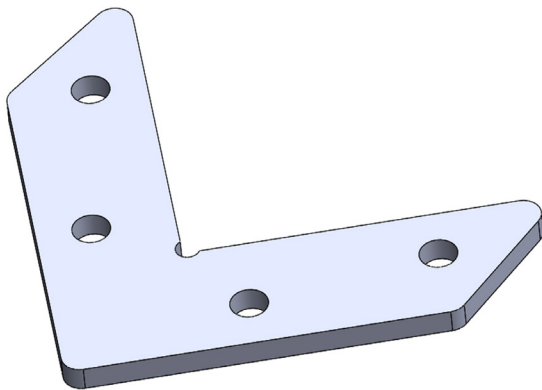
Mild Steel

**Finish:**

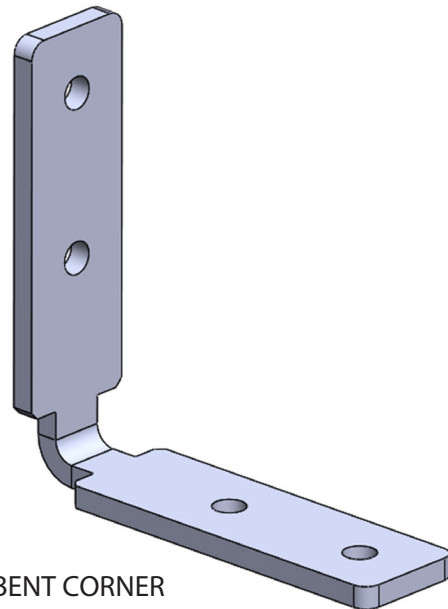
- BZP (Bright Zinc Plate)



STRAIGHT  
Code: SPT-STR



FLAT CORNER  
Code: SPT-CNR-FLT



BENT CORNER  
Code: SPT-CNR-PAD

1 For further information, refer to our list of materials which we have evaluated for use with Spirit-TEX.  
2 Please ensure Spirit-TEX is a suitable solution for the specific application, the site and other local conditions.